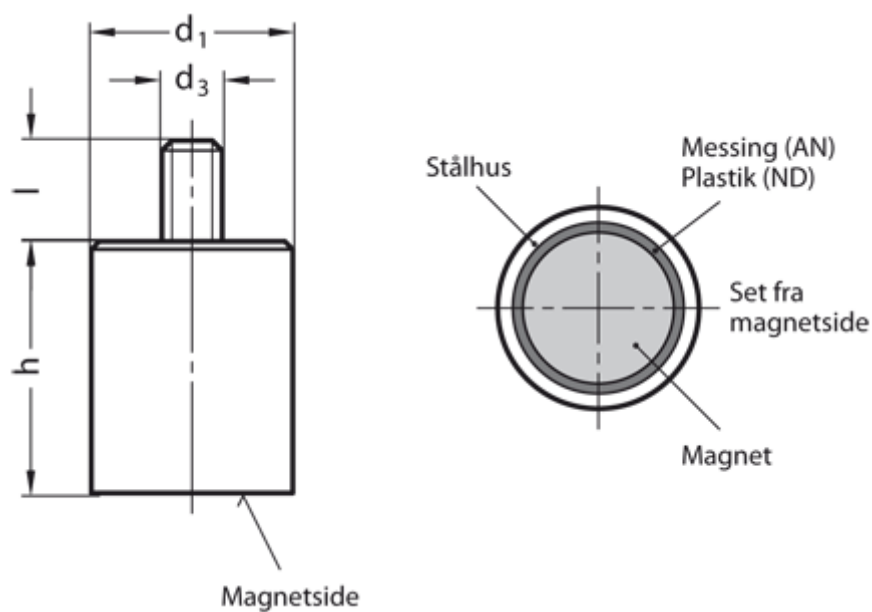


Article number: 201241398

Description: E+G Retaining magnets with threaded stud GN 52.4-AN-16-M4-E
Alu, Nickel, Cobalt - 450° C, 20N

Measures



d1 = 16

d3 = M4

h = 20 ±0,2

Holding force N = 20.0

l = 10

Material = AN Alu, nickel, cobalt, 450°C